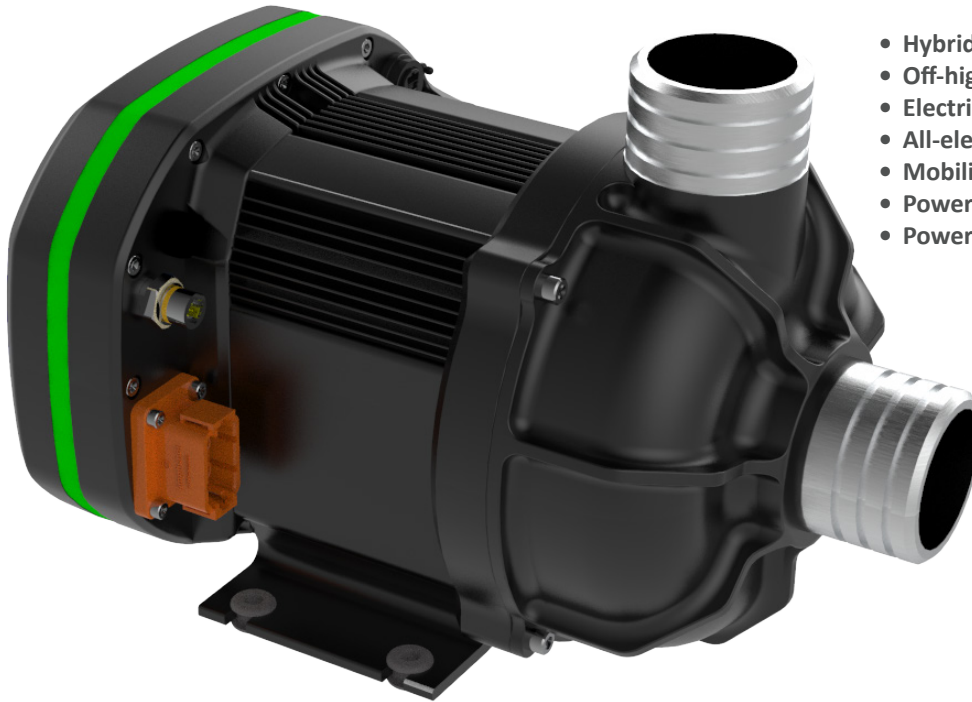


HCP - Hydrapulse® Coolant Pump**Applications:**

- Hybrid and electric vehicles
- Off-highway vehicles
- Electric, hybrid, & standard Bus
- All-electric construction equipment
- Mobility solutions
- Power electronic cooling
- Power generation



The Hydrapulse® Coolant Pump (HCP) is a ruggedized high voltage pump unit with integrated motor, controller, and closed-loop pressure feedback that is specifically designed for mobile electric and hybrid applications. Utilizing a power-on-demand coolant supply limits power consumption and provides greater system flexibility.

FEATURES

- Power on demand
- Permanent magnet motor
- CAN J1939 communication interface
- HVIL connector
- 2.5 kw power rating
- Centrifugal pump
- Diffuser design for improved efficiency
- Plug & Play

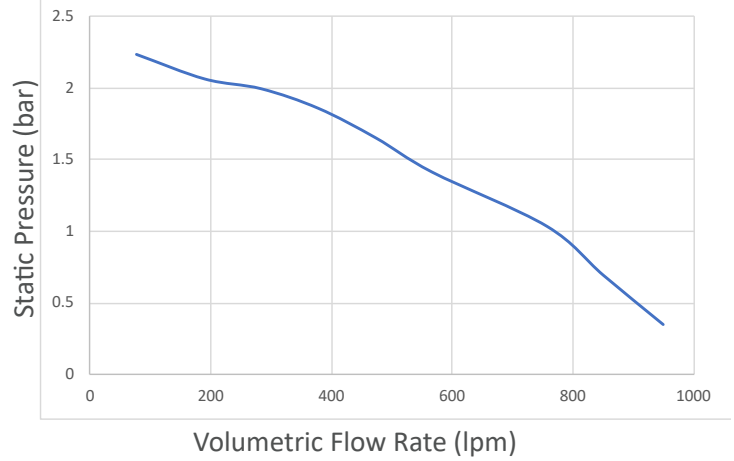
TECHNICAL

Temperature Range	-40° to +85°C (Operating) -40° to +125°C (Storage)
Protection	IP 6k9k
Power Input	200v to 800v DC
Supply Voltage	9-36v DC
Supply Current	700 mA (idle @ 12V)
Flowrate Range	0 to 1,000 lpm (0 to 250gpm)
Pressure Range	0 to 2.2 bar (0 to 32 psi)

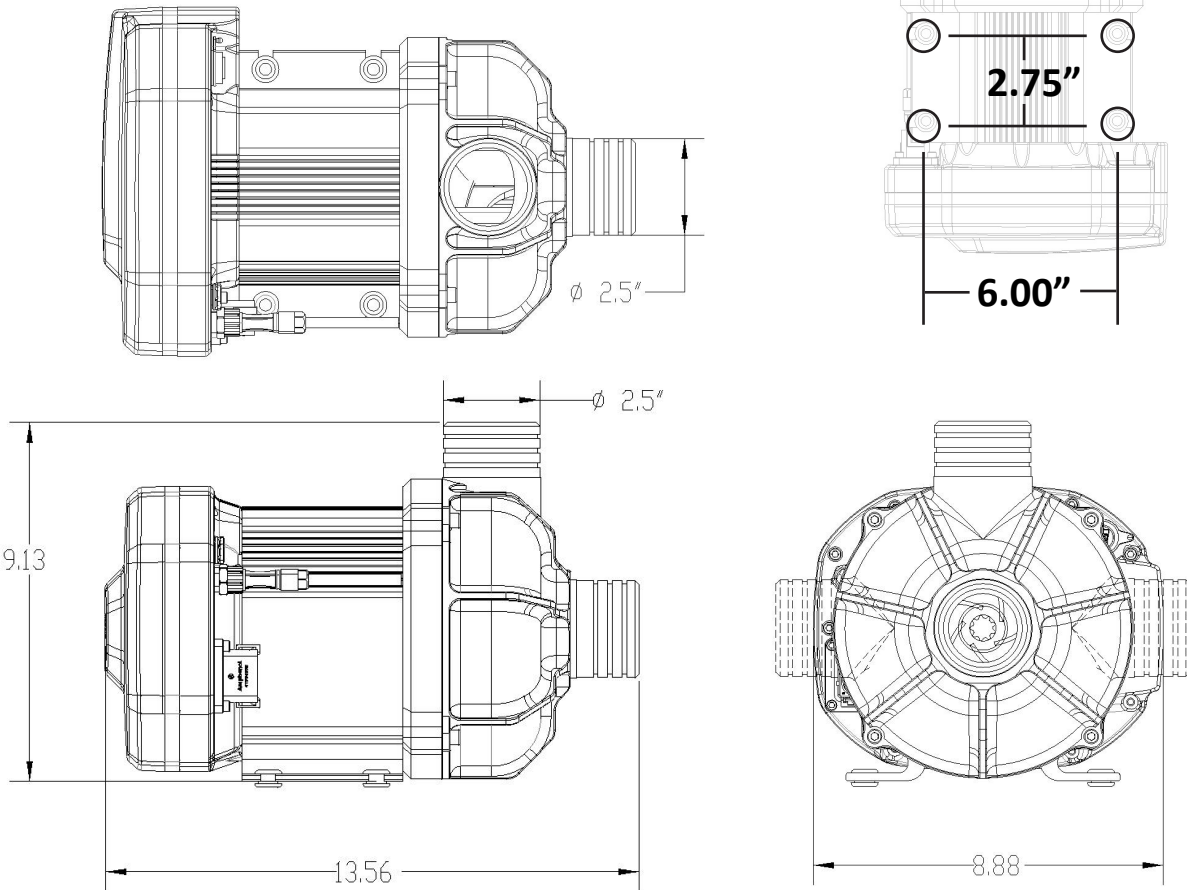
SPECIFICATIONS

MODEL	HCP-2.5
Rated DC Voltage (V)	200-800
Rated Power kW (HP)	2.5 (3.3)
Rated Current (A)	3.8A @ 650v
IP Rating	6k9k
Max Speed (RPM)	5,000
Comms Cable	Samtec IP68 - M12
Power Connector	Amphenol Mini
Communication Protocol	CAN J1939
Temperature Ratings	
Operating	-40°C to 85°C
Storage	-40°C to 125°C
Weight (lbs)	34.0

FLOWRATE VS. STATIC PRESSURE RISE



INSTALLATION DRAWINGS



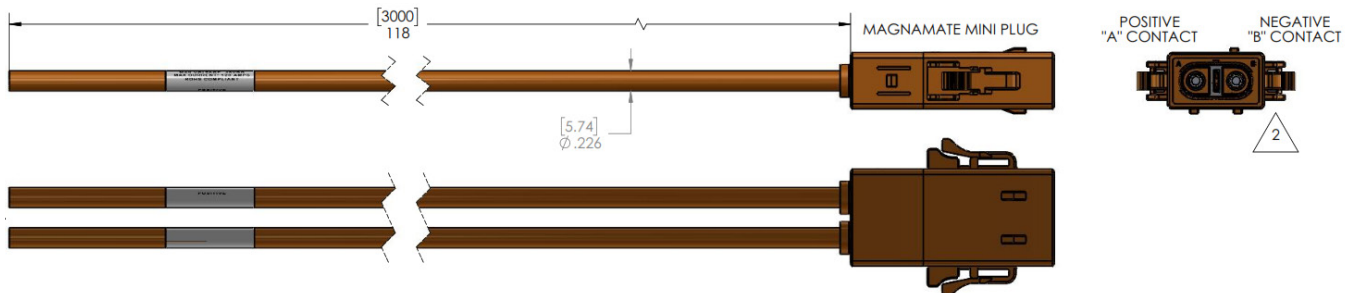
MOUNTING FOOTPRINT
(4X 0.26"Ø)

M12 COMMUNICATIONS CABLE - (ORDER CODE 200-00051)



NAME	PIN	COLOR	DESCRIPTION
VCC	1	Brown	9-36V control power
GND	2	Red	9-36V control ground
CAN-H	3	Orange	CAN High
CAN-L	4	Yellow	CAN Low
STO-0	5	Green	E-Stop 0 (safe torque off)
STO-1	6	Blue	E-Stop 1

HIGH VOLTAGE CABLE - (ORDER CODE 200-00012)*



*STANDARD LENGTH IS 3m. FOR CUSTOM LENGTH PLEASE CONTACT SALES@TERZOPOWER.COM

*PLEASE REFER TO OUR OPERATIONS AND INSTALLATION MANUAL FOR MORE DETAILS

Terzo Power Systems, LLC | 1235 Glenhaven Court Suite 300 El Dorado Hills, CA 95762

916-245-9660 | info@terzopower.com | terzopower.com

WARNING!

FAILURE OR IMPROPER SELECTION OR IMPROPER USE OF THE PRODUCTS AND/OR SYSTEMS DESCRIBED HEREIN OR RELATED ITEMS CAN CAUSE DEATH, PERSONAL INJURY AND PROPERTY DAMAGE.

This document and other information from Terzo Power Systems, LLC, its subsidiaries and authorized distributors provide product and/or system options for further investigation by users having technical expertise. It is important that you analyze all aspects of your application, including consequences of any failure, and review the information concerning the product or system in the current product catalogue. Due to the variety of operating conditions and applications for these products or systems, the user, through its own analysis and testing, is solely responsible for making the final selection of the products and systems and assuring that all performance, safety and warning requirements of the application are met. The products described herein, including without limitation, product features, specifications, designs, availability and pricing, are subject to change by Terzo Power Systems, LLC and its subsidiaries at any time without notice.



WARNING

This product can expose you to chemicals including lead, which is known to the State of California to cause cancer. For more information, go to www.P65Warnings.ca.gov.